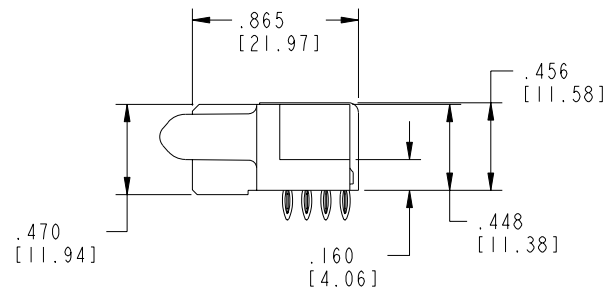
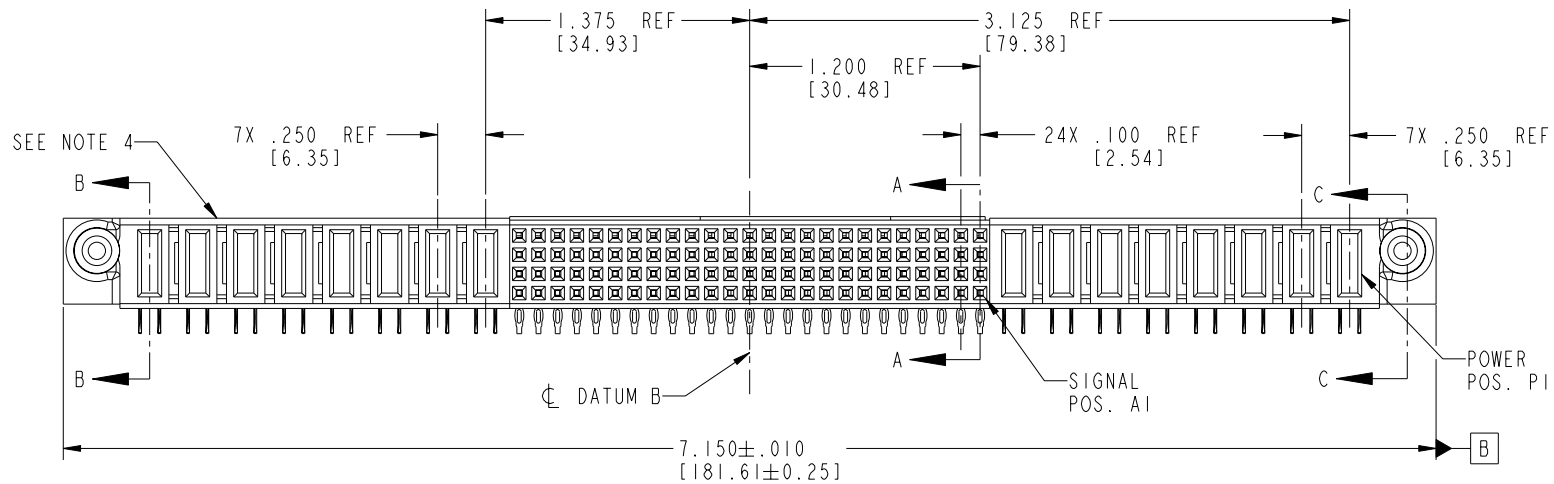
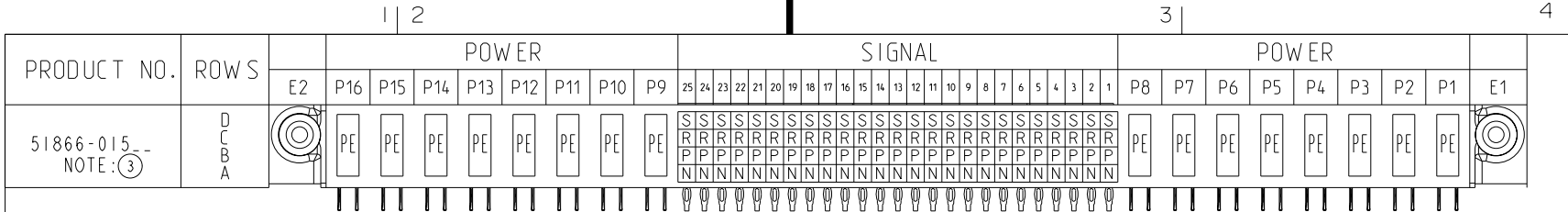


Tous droits strictement réservés. Reproduction ou communication a des tiers interdite sous quelque forme que ce soit sans autorisation écrite du propriétaire. Propriété de c FCI. Droits de reproduction FCI.

All rights strictly reserved. Reproduction or issue to third parties in any form whatever is not permitted without written authority from the proprietor. Property of FCI. Copyright FCI.

FCI



| CODE | DIM "M" MATING LENGTH | CONTACT TYPE |
|------|-----------------------|--------------|
| N | N/A [N/A] | SIGNAL |
| P | N/A [N/A] | SIGNAL |
| R | N/A [N/A] | SIGNAL |
| S | N/A [N/A] | SIGNAL |
| PE | .042 [1.07] | POWER |

| | | | | | | | | | | | |
|-------------|----------------|-------|----------|------------|------------------------|---------------------------------------|--|-----------|--|--------------------------|--|
| mat'l code | | | | SEE NOTE 2 | | tolerances unless otherwise specified | | CUSTOMER | | www.fciconnect.com | |
| ltr | ecn no. | dr | date | linear | .XX±.01/0.X±0.3 | projection | | COPY | | title | |
| A | V21914 | CGD | 12/31/02 | | .XX±.005/0.XX±0.13 | | | A | | 8P + 100S + 8P | |
| B | DG05-0201 | GuoJM | 07/04/05 | angles | .XXX±.0020/0.XXX±0.051 | | | INCH/MM | | R/A PRESS-FIT RECEPTACLE | |
| | | | | dr | 0° + 2° | scale | | 1:1 | | product family | |
| | | | | engr | C. DAILY 12/31/02 | | | A | | PwrBlade | |
| | | | | chr | M. MOSTOLLER 12/31/02 | | | size | | code | |
| | | | | appd | M. MOSTOLLER 12/31/02 | | | 51866-015 | | 213 | |
| sheet index | revision sheet | B 1 | B 2 | B 3 | B 4 | | | | | sheet 1 of 4 | |

Pro/E

PDM: Rev: B

STATUS: **Released**

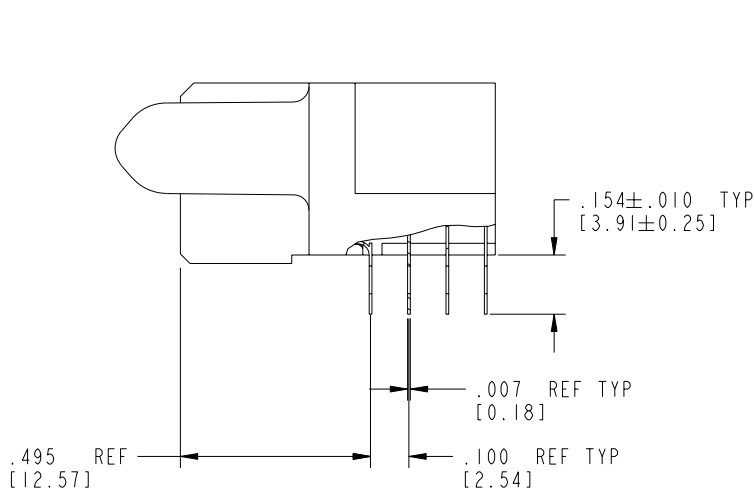
Printed: Oct 08, 2006

Tous droits strictement réservés. Reproduction ou communication a des tiers interdite sous quelque forme que ce soit sans autorisation écrite du propriétaire. Propriété de c FCI. Droits de reproduction FCI.

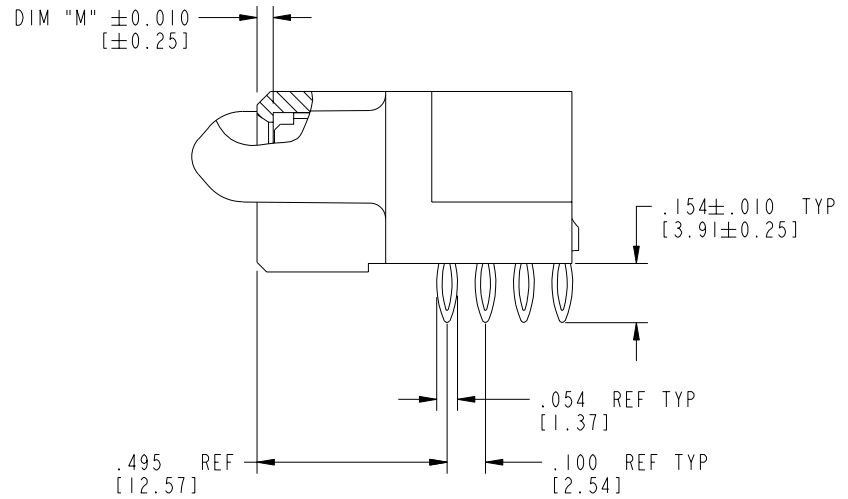
All rights strictly reserved. Reproduction or issue to third parties in any form whatever is not permitted without written authority from the proprietor. Property of FCI. Copyright FCI.

FCI

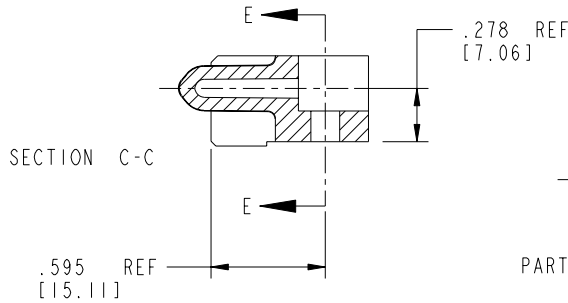
PRODUCT NUMBER
51866-015--
NOTE: (3)



BROKEN-OUT SECTION A-A
SCALE 2:1



BROKEN-OUT SECTION B-B
SCALE 2:1



PARTIAL SECTION E-E

| | | | | | | | | | | | |
|-------------|----------------|------------|------|---------------------------------------|------------------------------|------------|--|----------------|--|--------------------------|--|
| mat'l code | | SEE NOTE 2 | | tolerances unless otherwise specified | | CUSTOMER | | FCI | | www.fciconnect.com | |
| ltr | ecn no. | dr | date | linear | .XX ± .01 / 0.X ± 0.3 | COPY | | projection | | title | |
| B | | | | | .XX ± .005 / 0.XX ± 0.13 | projection | | | | 8P + 100S + 8P | |
| | | | | angles | .XXX ± .0020 / 0.XXX ± 0.051 | | | | | R/A PRESS-FIT RECEPTACLE | |
| | | | | dr | 0° ± 2° | INCH/MM | | product family | | code | |
| | | | | engr | C. DAILY 12/31/02 | scale | | PwrBlade | | 213 | |
| | | | | chr | M. MOSTOLLER 12/31/02 | 1:1 | | size | | sheet | |
| | | | | appd | M. MOSTOLLER 12/31/02 | | | A 51866-015 | | 2 of 4 | |
| sheet index | revision sheet | | | | | | | | | | |

Pro/E

PDM: Rev: B

STATUS: **Released**

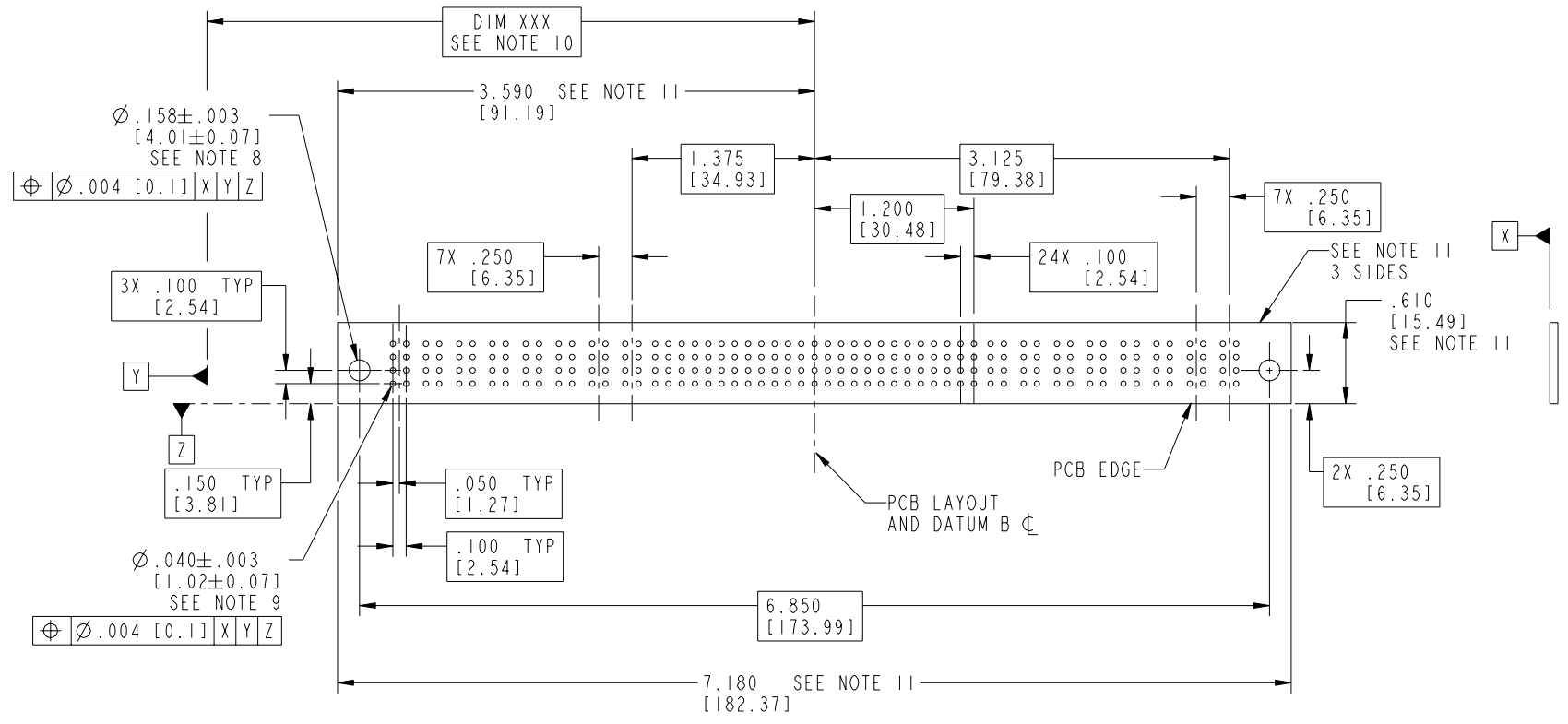
Printed: Oct 08, 2006

Tous droits strictement réservés. Reproduction ou communication a des tiers interdite sous quelque forme que ce soit sans autorisation écrite du propriétaire. Propriété de c FCI. Droits de reproduction FCI.

All rights strictly reserved. Reproduction or issue to third parties in any form whatever is not permitted without written authority from the proprietor. Property of FCI. Copyright FCI.

FCI

PRODUCT NUMBER
51866-015__
NOTE:③



| | | | | | | | | | | | |
|-------------|----------------|------------|------|---------------------------------------|------------------------|------------|----------------|------------|--------------------------|--------------------|--------|
| mat'l code | | SEE NOTE 2 | | tolerances unless otherwise specified | | CUSTOMER | | FCI | | www.fciconnect.com | |
| ltr | ecn no. | dr | date | linear | .XX±.01/0.X±0.3 | projection | COPY | | title | | |
| B | | | | | .XX±.005/0.XX±0.13 | ⊕ ↗ | | | 8P + 100S + 8P | | |
| | | | | angles | .XXX±.0020/0.XXX±0.051 | | | | R/A PRESS-FIT RECEPTACLE | | |
| | | | | dr | 0°+2° | INCH/MM | product family | | PwrBlade | | code |
| | | | | engr | C. DAILY 12/31/02 | scale | size | | dwg no | | 213 |
| | | | | chr | M. MOSTOLLER 12/31/02 | 3:4 | A | | 51866-015 | | sheet |
| | | | | appd | M. MOSTOLLER 12/31/02 | | | | | | 3 of 4 |
| sheet index | revision sheet | | | | | | | | | | |

A

B

A

B

1 | 2

3 |

4

1 | 2

Pro/E

PDM: Rev:B

STATUS: **Released**

Printed: Oct 08, 2006

code code 22526

4

PRODUCT NUMBER

51866-015__
NOTE:③

NOTES:

1. DIMENSIONS AND TOLERANCES ARE IN ACCORDANCE WITH ASME Y14.5M, 1994 UNLESS OTHERWISE SPECIFIED.

CONNECTOR NOTES:

② HOUSING MATERIAL: UL 94 V-0 GLASS FILLED
HIGH-TEMP THERMOPLASTIC
POWER CONTACT MATERIAL: COPPER ALLOY
SIGNAL PIN MATERIAL: COPPER ALLOY

3. PLATING:

51866-015 Singal Pin:30u"/0.76um Au OVER 50u"/1.27um Ni ON THE CONTACT AREA,
AND 100u"/2.54um SnPb PLATING OVER 50u"/1.27um Ni ON THE TERMINATION SECTION.
Power Pin:30u"/0.76um Au OVER 50u"/1.27um Ni ON THE CONTACT AREA,
AND 100u"/2.54um SnPb PLATING OVER 50u"/1.27um Ni ON THE TERMINATION SECTION.

51866-015LF Singal Pin:30u"/0.76um Au OVER 50u"/1.27um Ni ON THE CONTACT AREA,
AND 78u"/2.00um Sn PLATING OVER 50u"/1.27um Ni ON THE TERMINATION SECTION.
Power Pin:30u"/0.76um Au OVER 50u"/1.27um Ni ON THE CONTACT AREA,
AND 78u"/2.00um Sn PLATING OVER 50u"/1.27um Ni ON THE TERMINATION SECTION.

PART NUMBER 51866-015LF MEETS EUROPEAN UNION DIRECTIVE AND OTHER COUNTRY REGULATIONS AS DESCRIBED IN GS-22-008.

THE HOUSING WILL WITHSTAND EXPOSURE TO 260° PEAK TEMPERATURE FOR 10 SECONDS IN A WAVE SOLDER APPLICATION WITH A CIRCUIT BOARD.

④ MANUFACTURER'S NAME, P/N, AND DATE CODE TO APPEAR ON THIS SURFACE.

5. PRODUCT SPECIFICATION GS-12-149.
APPLICATION SPECIFICATION BUS-20-067.

6. PACKAGED IN TRAYS.

PCB NOTES:

7. ALL HOLE DIAMETERS ARE FINISHED HOLE SIZE.


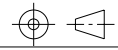

⑧ MOUNTING HOLES, WHERE APPLICABLE, ARE UNPLATED.

⑨ $\varnothing .0453 \pm .0010$ [1.151 \pm 0.025] DRILLED HOLES PLATED WITH .0003 [0.008] MIN SnPb OVER .001 [0.03] TO .003 [0.08] Cu PLATING TO ACHIEVE $\varnothing .040 \pm .003$ [1.02 \pm .07] HOLE.

⑩ "DIM XXX" TO BE DETERMINED BY THE CUSTOMER.

⑪ CONNECTOR KEEP-OUT ZONE.

12. USE FCI CAM TOOL 430140-XXX TO APPLY CONNECTOR TO PCB.

| | | | | | | | | | | | |
|-------------|---------|----------------|------|------------|------------------------|---------------------------------------|--|---|--|---|--|
| mat'l code | | | | SEE NOTE 2 | | tolerances unless otherwise specified | | CUSTOMER | |  www.fciconnect.com | |
| ltr | ecn no. | dr | date | linear | .XX±.01/0.X±0.3 | COPY | | projection | | title | |
| B | | | | | .XXX±.005/0.XX±0.13 | A | |  | | 8P + 100S + 8P | |
| | | | | angles | .XXX±.0020/0.XXX±0.051 | INCH/MM | |  | | R/A PRESS-FIT RECEPTACLE | |
| | | | | dr | 0° + 2° | C. DAILY 12/31/02 | | product family | | code | |
| | | | | engr | | M. MOSTOLLER 12/31/02 | | PwrBlade | | 213 | |
| | | | | chr | | M. MOSTOLLER 12/31/02 | | size | | sheet | |
| | | | | appd | | M. MOSTOLLER 12/31/02 | | A | | 4 of 4 | |
| sheet index | | revision sheet | | | | | | | | | |

Tous droits strictement réservés. Reproduction ou communication a des tiers interdite sous quelque forme que ce soit sans autorisation écrite du propriétaire. Propriete de c FCI. Droits de reproduction FCI.

FCI

All rights strictly reserved. Reproduction or issue to third parties in any form whatever is not permitted without written authority from the proprietor. Property of FCI. Copyright FCI.

A

A

B

B